



xTOOL Concealed thermostat module with 1 valve -

35 437 970



- red brass, lead-free
- 2x back flow preventer
- pre-seal
- 3/4" (cold/hot) connection
- 1x female thread 1/2" outlet, left/right/top alternatively
- thermostat cartridge
- head part with cut-to-length spindle and sleeve
- 2x dust cover
- 2x anti-water packing
- soundproofing
- gauge 120 mm

NOTE: Important for certain series!
Due to minimum rough-in requirements, a framing of 2x6 studs is needed.

Recommended miscellaneous

Extension 28 mm -

12 177 970 90



Recommended miscellaneous

Extension 46 mm -

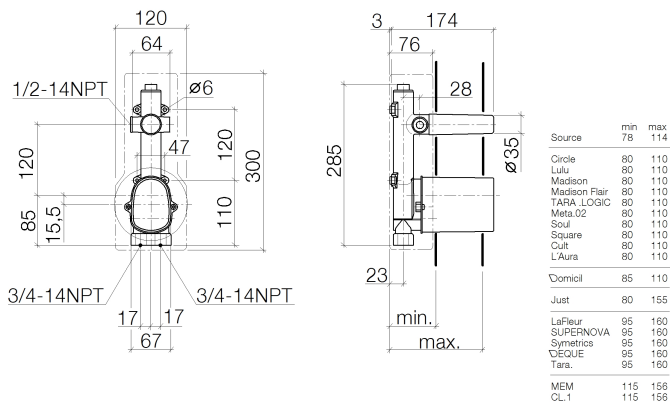
12 178 970 90



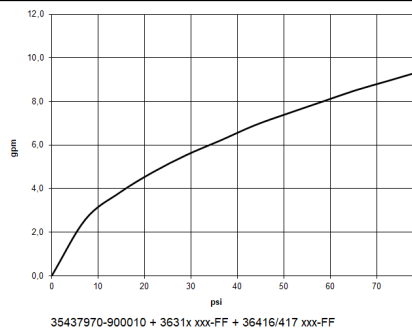


xTOOL Concealed thermostat module with 1 valve -

35 437 970



Flow rate chart

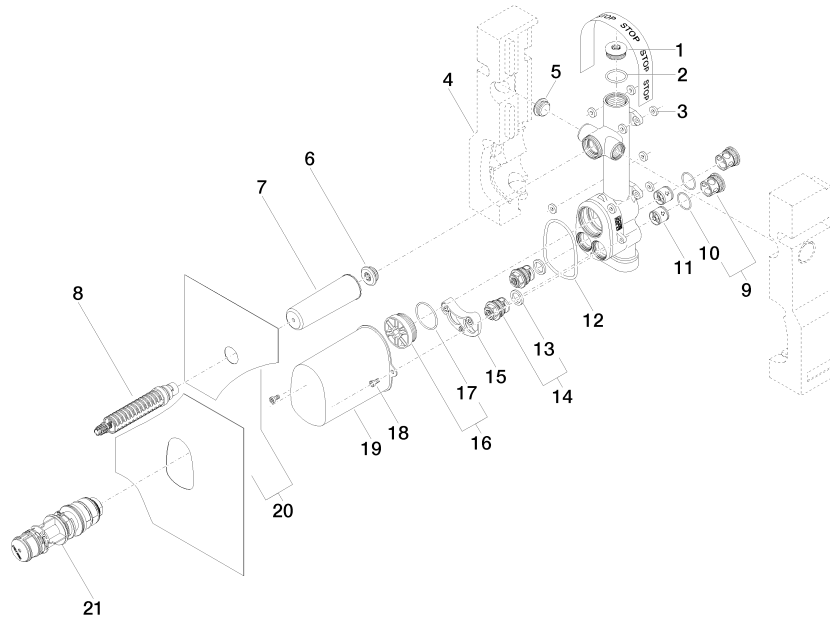


Certificates

IAPMO_4976 (3).

xTOOL Concealed thermostat module with 1 valve -

35 437 970



Spare parts list

No.	Item Number	Name	Quantity used	Delivery time
1	09 31 20 003 90	plug	1	2
2	09 14 10 009 90	seal	1	2
3	04 14 05 045 00 90	set	8	2
4	09 11 11 021 90	accessories	1	2
5	04 31 20 062 10 90	plug	1	2
6	04 31 20 006 00 90	plug	1	2
7	09 21 02 102 90	cap	1	2
8	90 90 03 143 00 90	top	1	2
9	04 21 34 077 00 90	nipple	2	2
10	09 14 10 098 90	seal	2	2
11	90 23 01 045 00 90	back-flow preventer	2	2
12	09 14 10 189 90	seal	1	2
13	09 14 05 002 90	seal	2	2
14	90 29 05 031 00 90	insert	2	2
15	90 12 12 218 00 90	base	1	2
16	04 31 20 100 00 90	plug	1	2
17	09 14 10 111 90	seal	1	2
18	90 30 30 027 00 90	screw	2	2
19	09 21 02 103 90	cap	1	2
20	04 14 03 073 05 90	gasket kit	1	2
21	90 15 02 065 00 90	cartridge	1	2